

### WPW1-2000~6300 Intelligent Air Circuit Breakers



#### General

WPW1 series intelligent air circuit breakers (hereinafter called ACB) are applied for the network circuit of AC 50Hz, rated voltage 400V, 690V and rated current between 630A and 6300A. Mainly used for distributing energy and protecting the circuit and power supply device against short-circuit, undervoltage, single-phase ground fault, etc. The ACB has intelligent protection function and the key parts adopt intelligent release. The release can make the accurate selective protection, which can avoid cutting off the power and improve the reliability of power supply. The products conform with IEC60947-1, IEC60947-2 standards.

#### Operation conditions

Item	Description
Ambient temperature	-5°C~+40°C (except special order products)
Altitude	≤2000m
Pollution grade	3
Safety category	Main circuit and undervoltage tripping coil is IV, other auxiliary and control circuit is III
Installation position	Vertical installed, tilt not exceed 5 degree
Environmental protection	Most of parts use recyclable and degradable materials
Isolating function	With isolating function

#### Data

Type		WPW1-2000	WPW1-3200	WPW1-6300	
Pole		3P, 4P	3P, 4P	3P, 4P	
Using category		B	B	B	
Rated current In	A	630, 800, 1000 1250, 1600, 2000	2000, 2500, 3000	4000, 5000, 6300	
Rated frequency	Hz		50		
Rated operation voltage Ue	V		400, 660		
Rated insulation voltage Ui	V		800		
Arcing distance	mm		0		
Rated operation short circuit breaking capacity Ics (O-t-CO)	400V	kA	40	50	100
	660V	kA	40	50	65
Rated limiting short circuit breaking capacity Icu (O-t-CO)	400V	kA	65	80	120
	660V	kA	50	65	75
Rated short time withstanding current Icw (O-t-CO, AC400V 0.4S)	400V	kA	45	65	100
	660V	kA	40	50	65

#### Overload protection data

Overload protection		WPW1-2000~6300					
Adjust scope Ir1		(0.4-1)In (pole difference 2%)					
1.05 Ir1	h	≥2h non-tripping					
1.3 Ir1	h	≤1h tripping					
1.5 Ir1	s	15	30	60	120	240	480
2.0 Ir1	s	8.4	16.9	33.7	67.5	135	270
Accuracy	%	±15					

#### Short circuit, short time delay

Short circuit, short time delay		WPW1-2000			WPW1-3200		WPW1-6300	
Adjust scope Ir1 Ir2		(0.4-15)In (pole difference 2%)						
Delay time tr2	ms	100, 200, 300, 400						
Accuracy	%	±15						

#### Short circuit, instantaneous

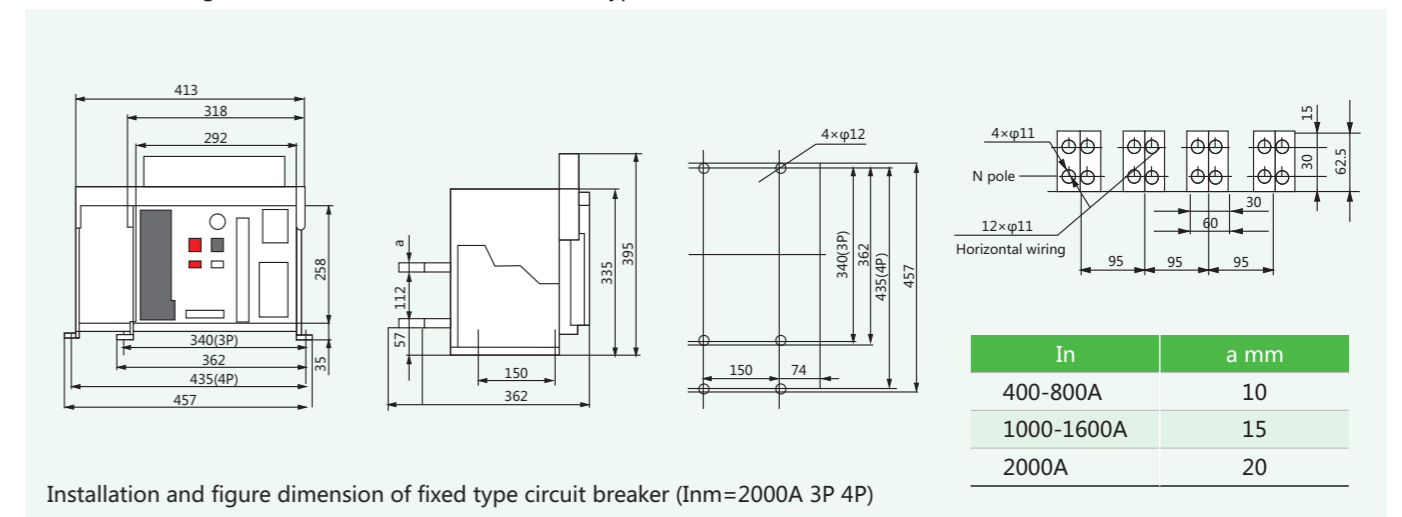
Short circuit, instantaneous		WPW1-2000	WPW1-3200	WPW1-6300
Adjust scope Ir1 Ir3		1In-50kA	1In-75kA	1In-100kA
Accuracy	%	±15	±15	±15

#### Load monitoring output

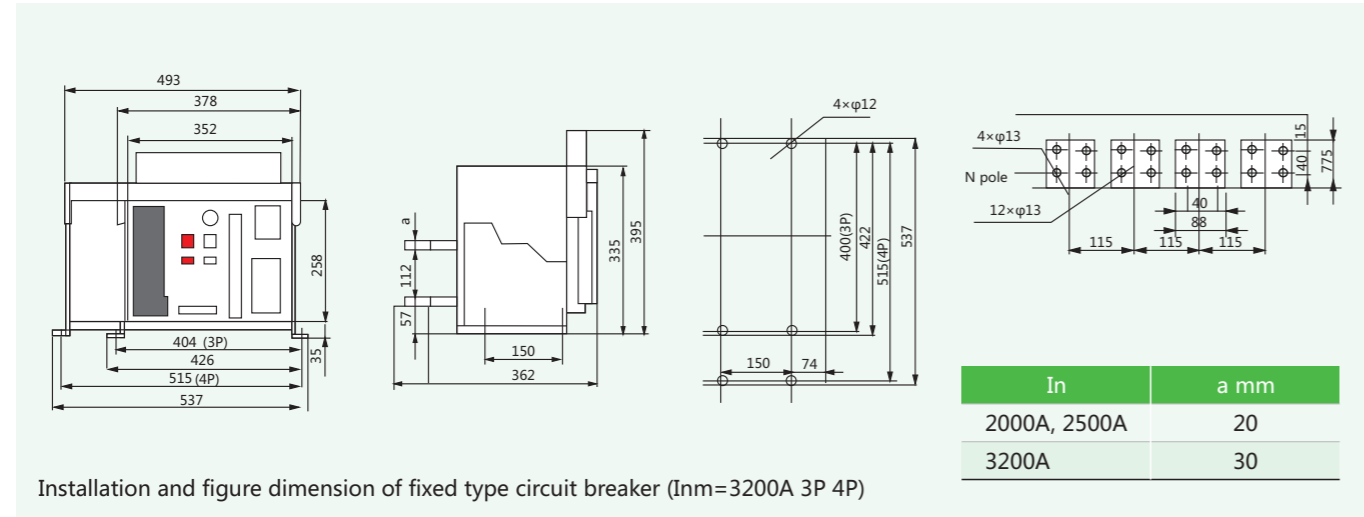
Load monitoring output		WPW1-2000~6300		
Load adjust scope Ic1		(0.2-1)In (pole difference 2%)		
Delay time tc1		tr1×0.5		
Load adjust scope Ic2		(0.2-1)In (pole difference 2%)		
Delay time tc2		tr1×0.25 (anti-time limit)		
Accuracy	s	60 (set time limit)		
	%	±10		

#### Overall and mounting dimensions

Installation and figure dimension of WPW1-2000A fixed type circuit breaker

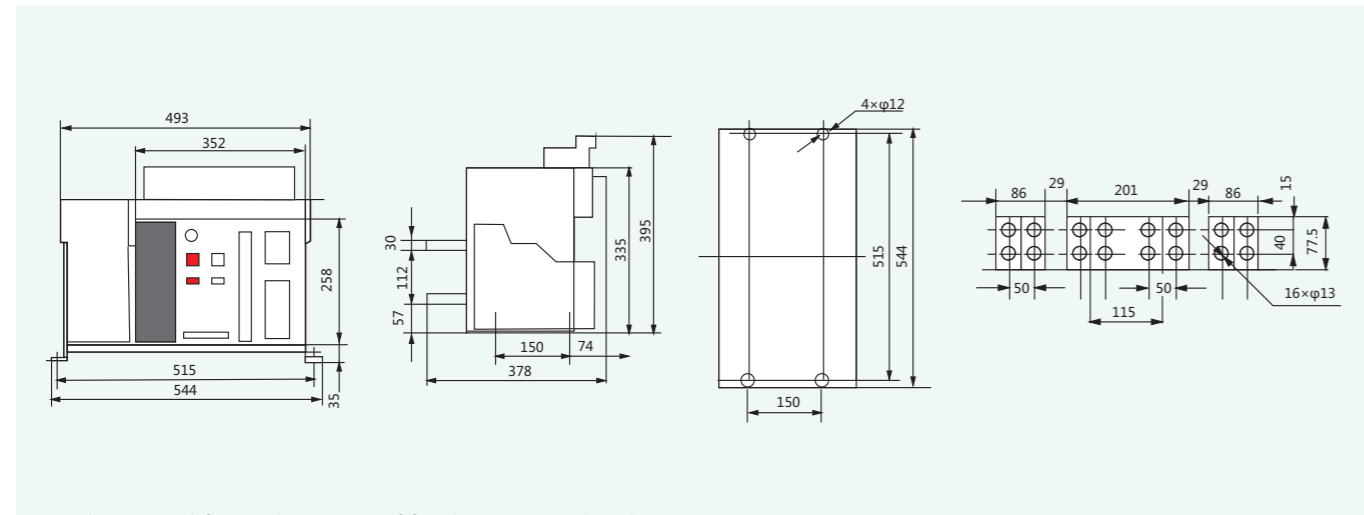


Installation and figure dimension of WPW1-3200A fixed type circuit breaker



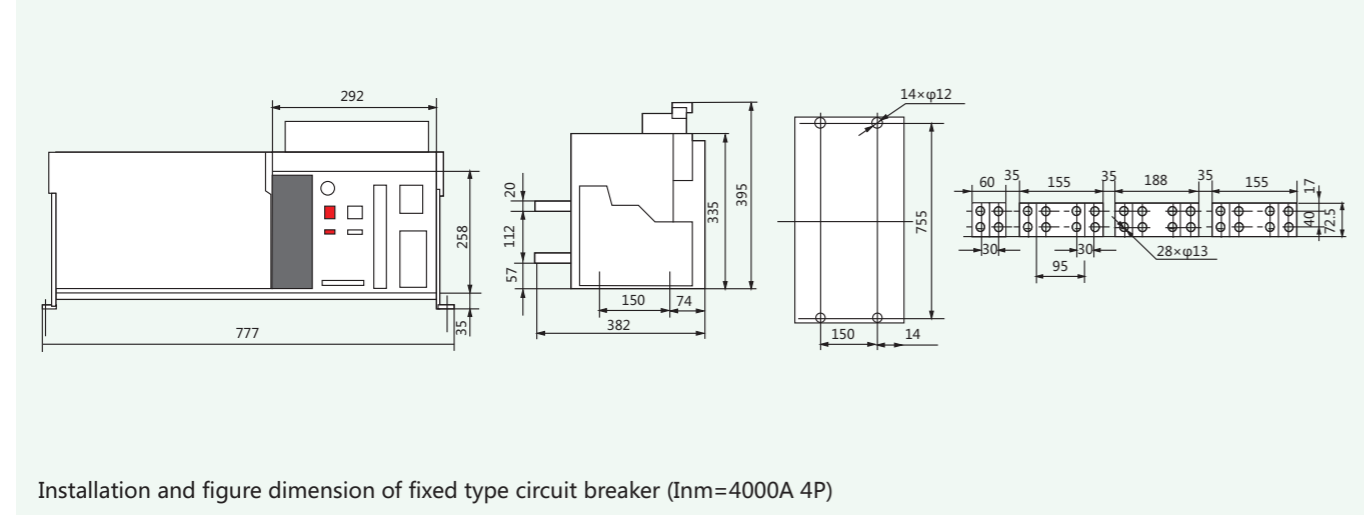
Installation and figure dimension of fixed type circuit breaker (Inm=3200A 3P 4P)

Installation and figure dimension of WPW1-4000A fixed type circuit breaker



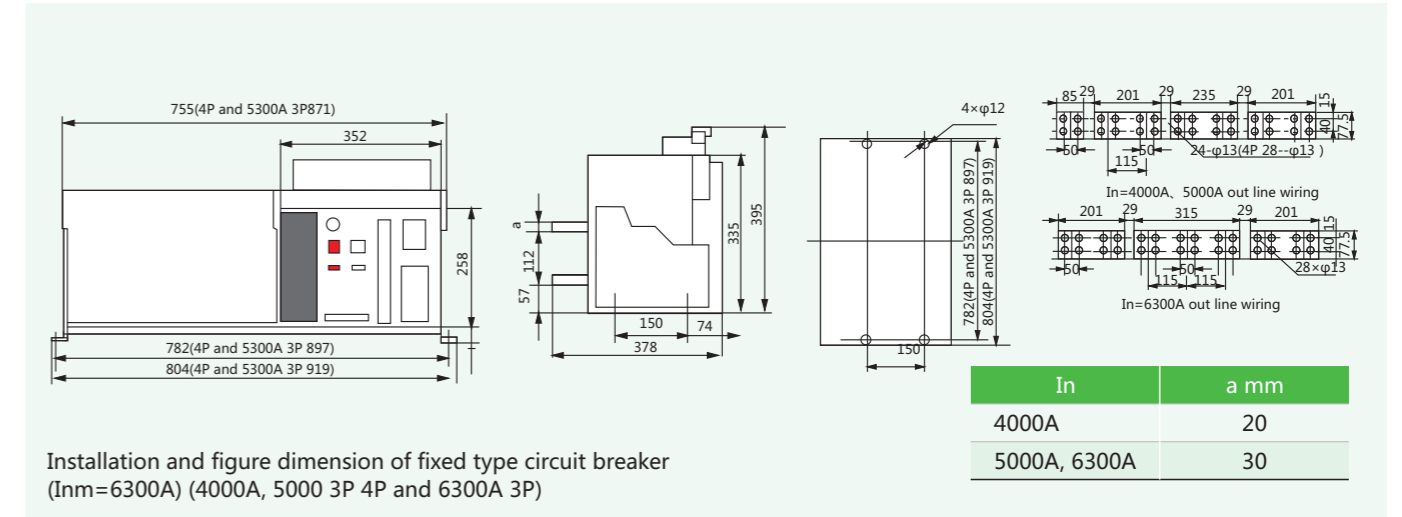
Installation and figure dimension of fixed type circuit breaker (Inm=4000A 3P)

Installation and figure dimension of WPW1-2000A draw-out type circuit breaker



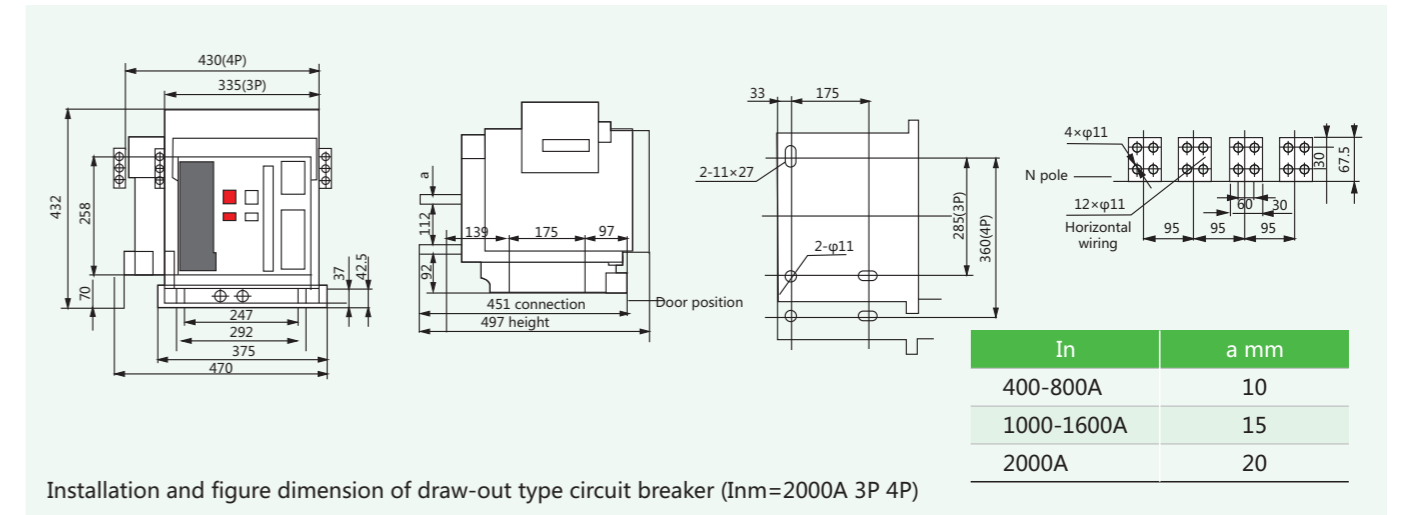
Installation and figure dimension of fixed type circuit breaker (Inm=4000A 4P)

Installation and figure dimension of WPW1-6300A fixed type circuit breaker



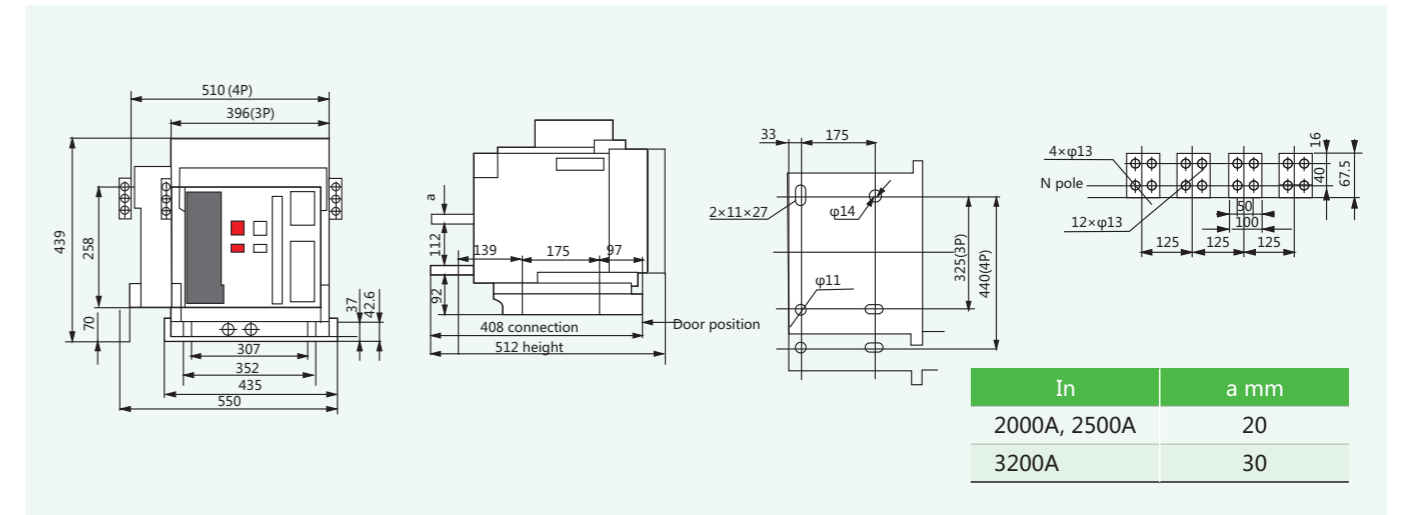
Installation and figure dimension of fixed type circuit breaker (Inm=6300A) (4000A, 5000 3P 4P and 6300A 3P)

Installation and figure dimension of WPW1-4000A draw-out type circuit breaker



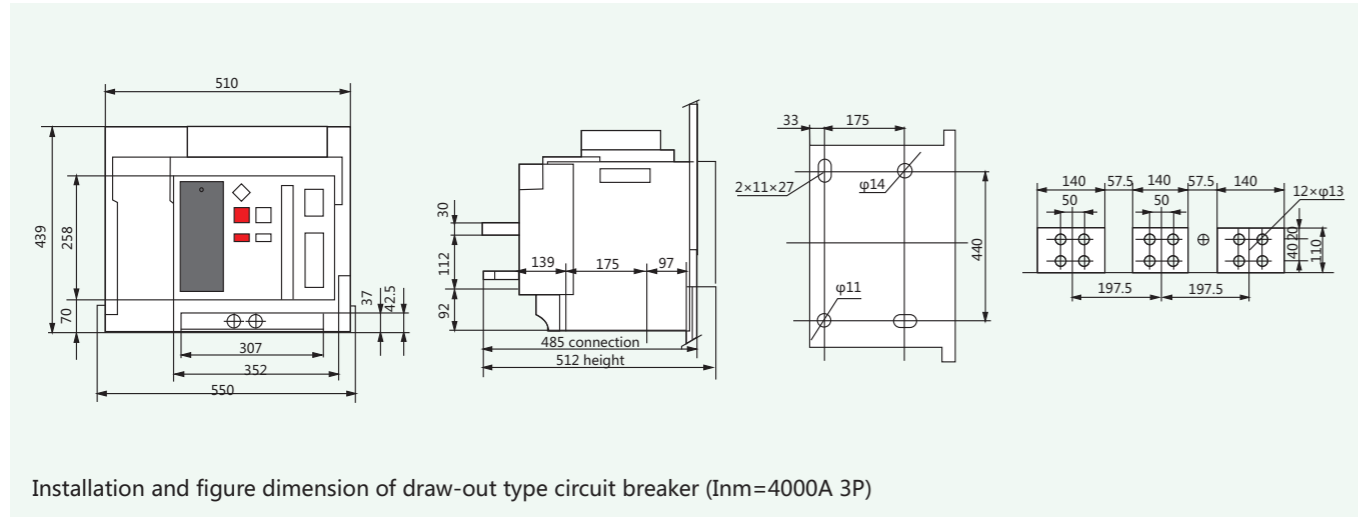
Installation and figure dimension of draw-out type circuit breaker (Inm=2000A 3P 4P)

Installation and figure dimension of WPW1-3200A draw-out type circuit breaker

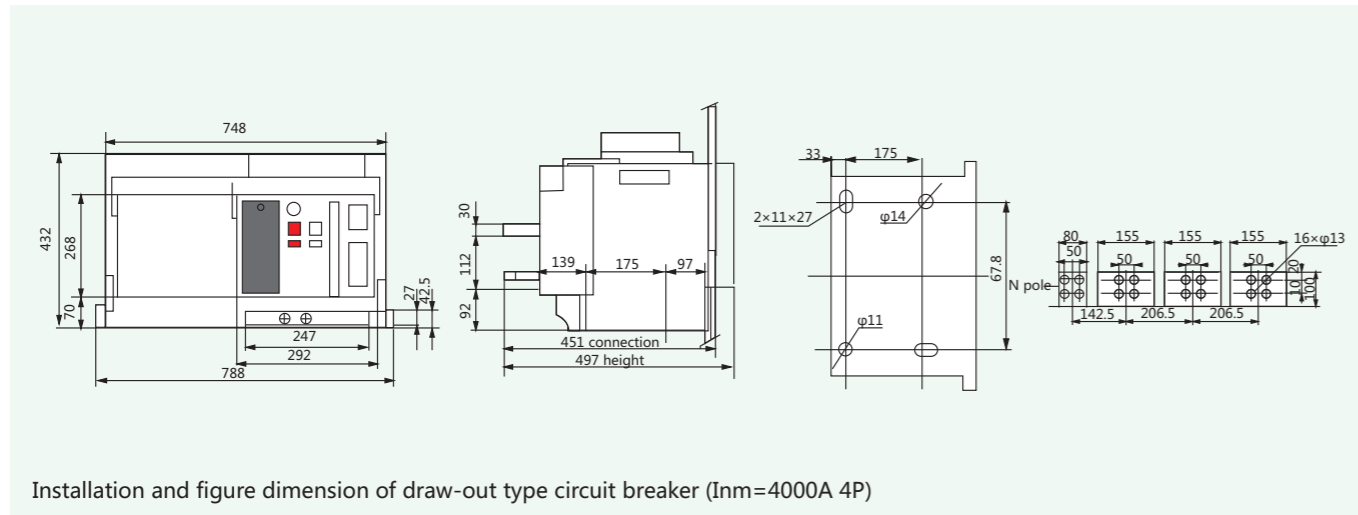


# WPW1 Air Circuit Breakers

Installation and figure dimension of WPW1-4000A draw-out type circuit breaker



Installation and figure dimension of WPW1-4000A(4P) draw-out type circuit breaker



Installation and figure dimension of WPW1-6300A draw-out type circuit breaker

